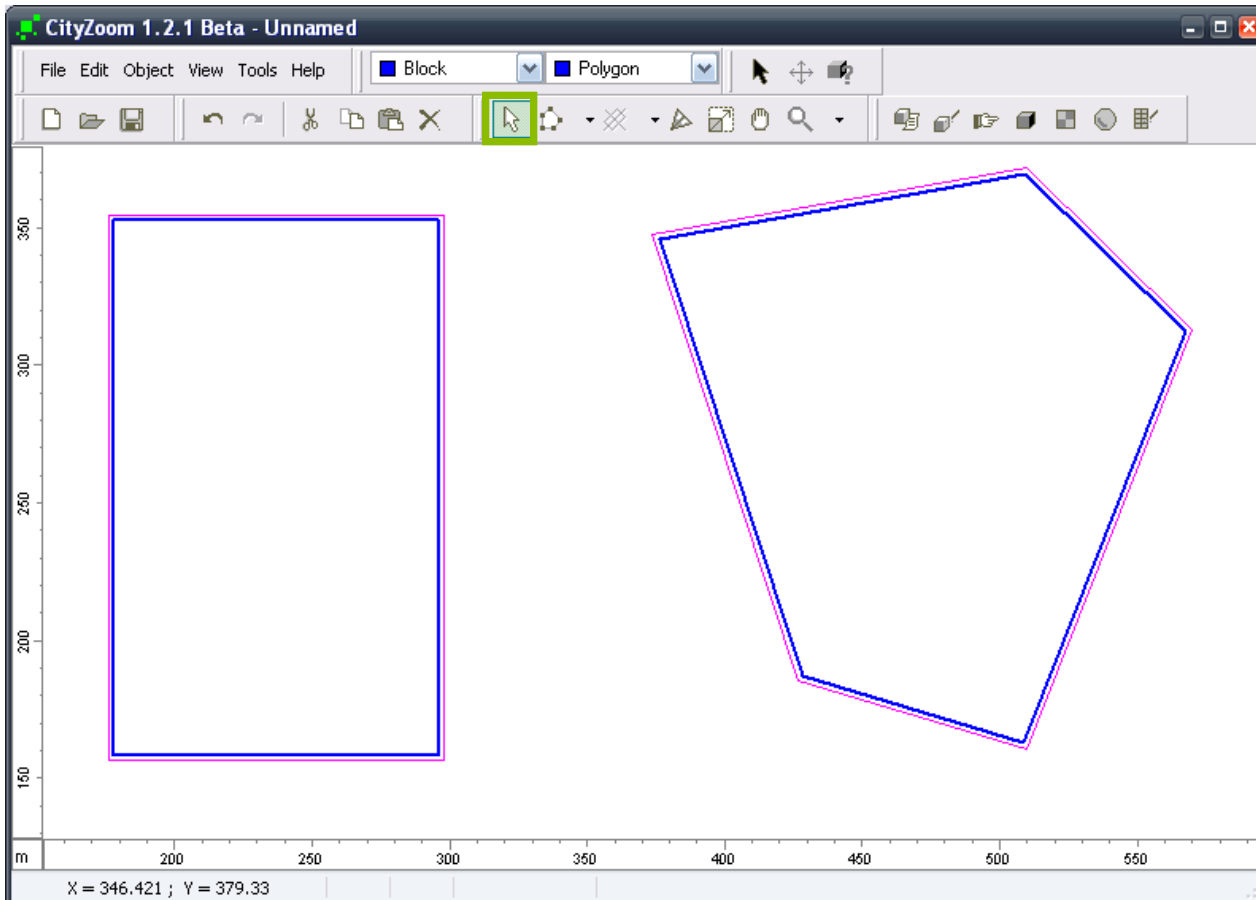


# **DIVIDING BLOCKS INTO PLOTS**

# Dividing blocks into plots

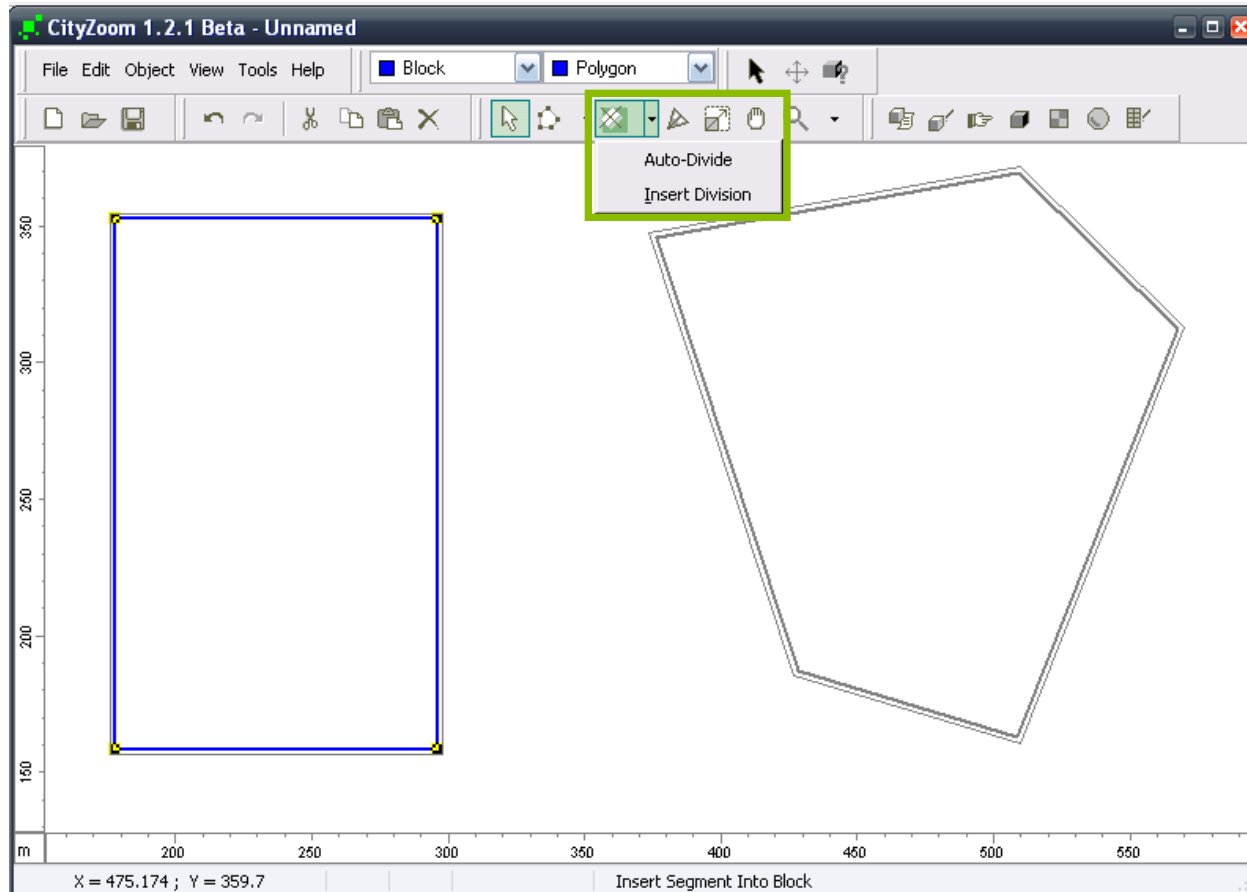


With the blocks already drawn we can start to draw the plots. Select the block you want to divide with the **Select** tool.

The Select Tool can be accessed by the arrow icon, using the Object menu, or by the shortcut F5.

**Important!** To select an object, that object kind must be active.

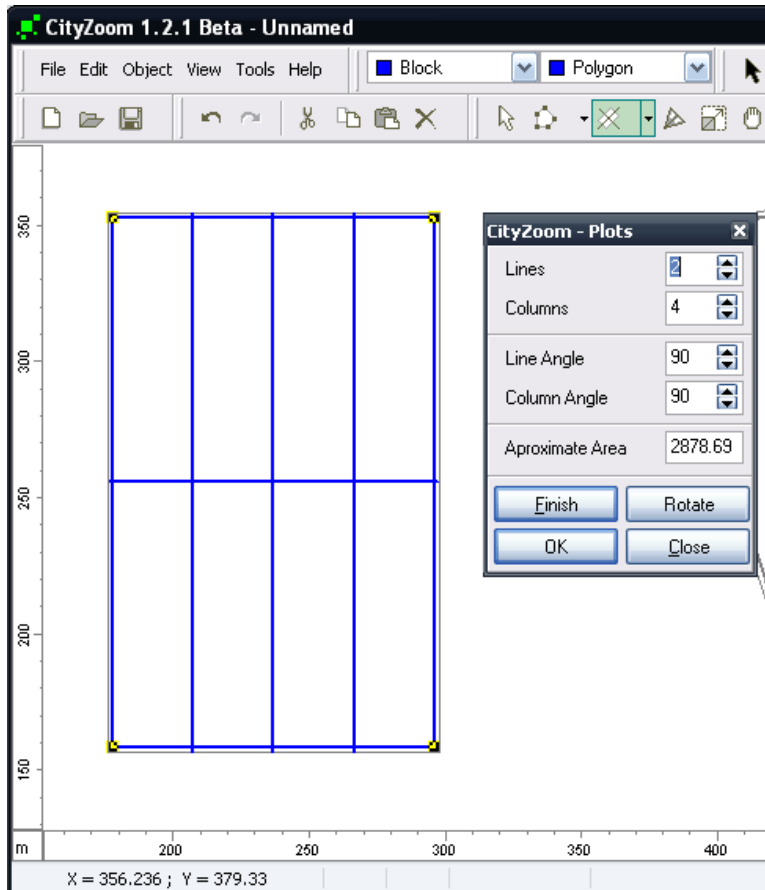
# Dividing blocks into plots



With the block selected, the division icon becomes active.

First, select **Auto-Divide**.

# Dividing blocks into plots



The automatic division window will appear. The following parameters can be set:

**Lines:** number of plots on “x” axis

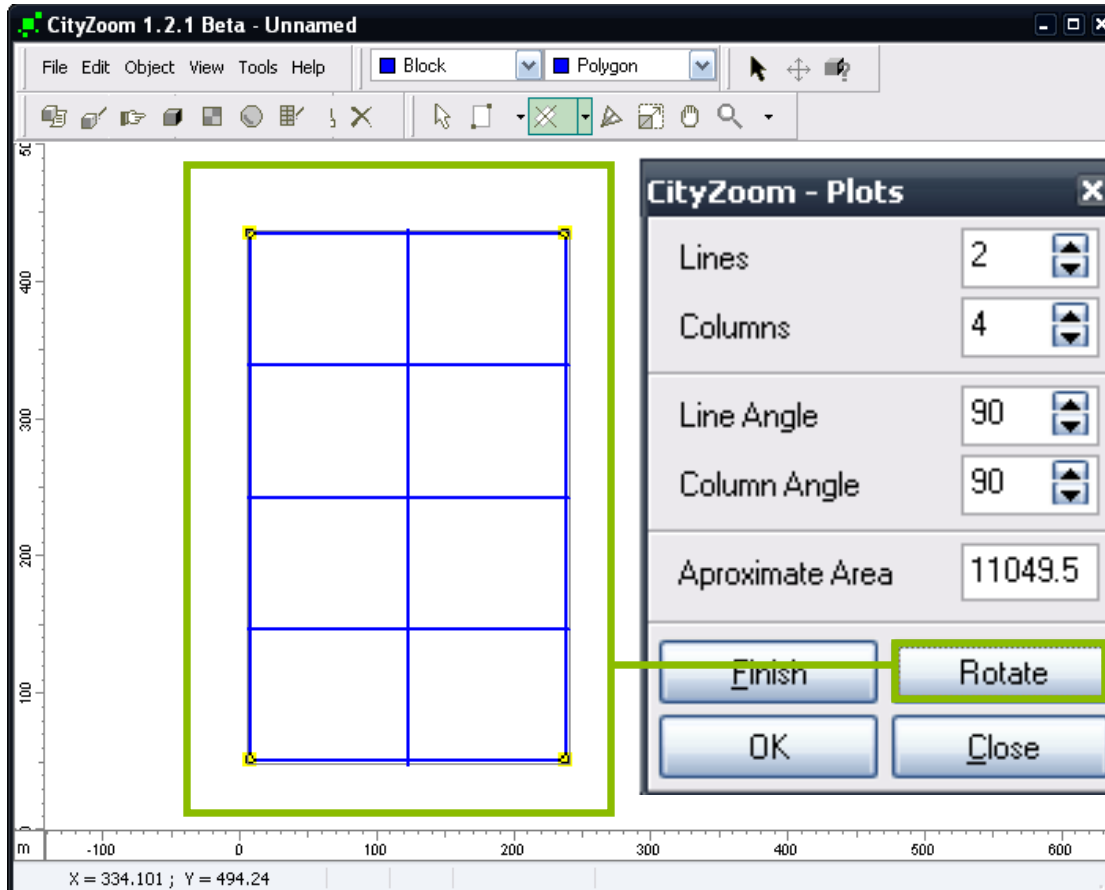
**Columns:** number of plots on “y” axis

**Line Angle:** plots division angle on “x” axis

**Column Angle:** plots division angle on “y” axis

The aproximate plot area will be shown on the **Aproximate Area** field.

# Dividing blocks into plots



The plot orientation inside the block can be changed by clicking **Rotate**.

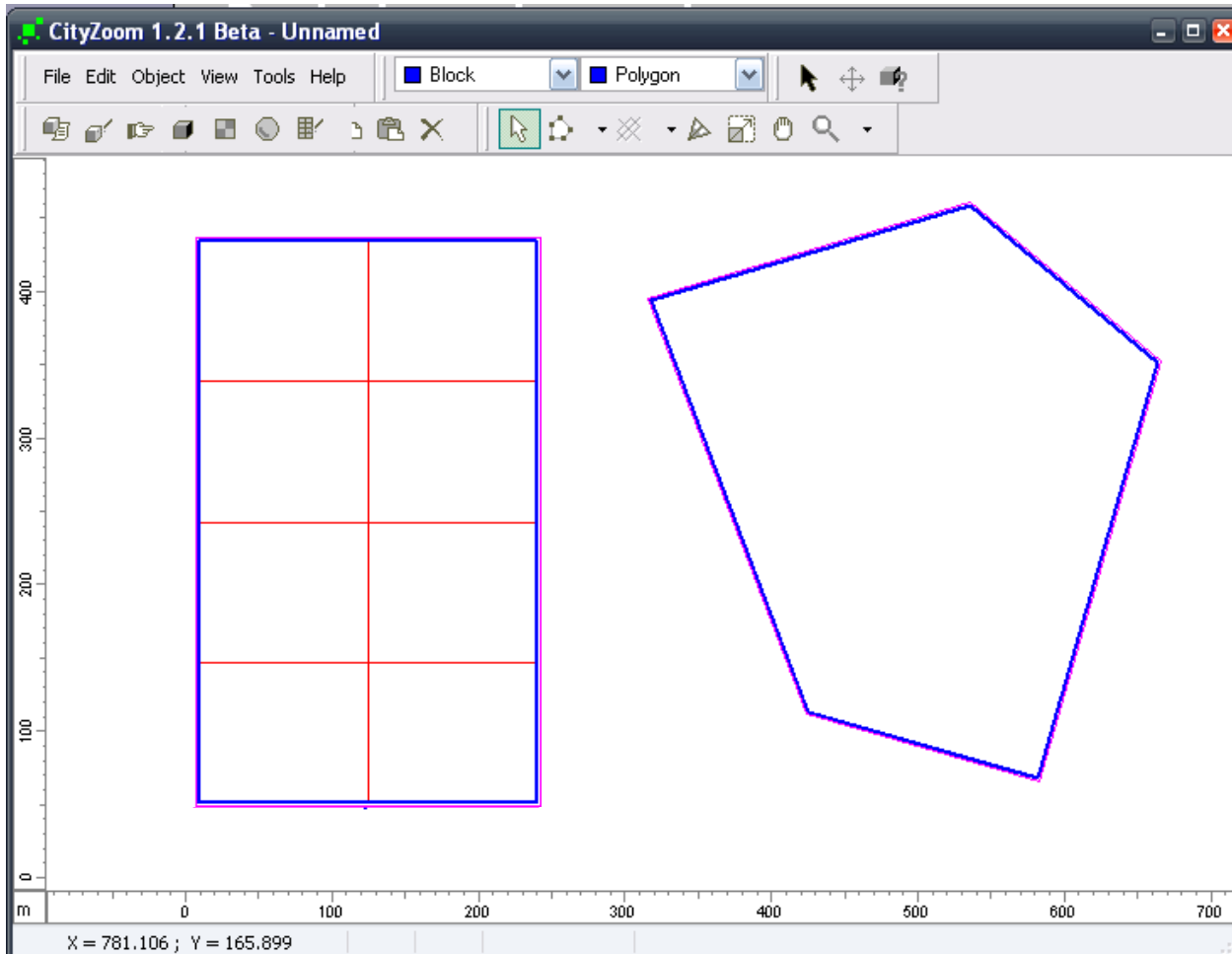
The new plots approximate area will be shown on the **Approximate Area** field.

If you want to add more divisions, click **OK** and continue with the manual division process.

If you want to cancel the automatic division, click **Close**.

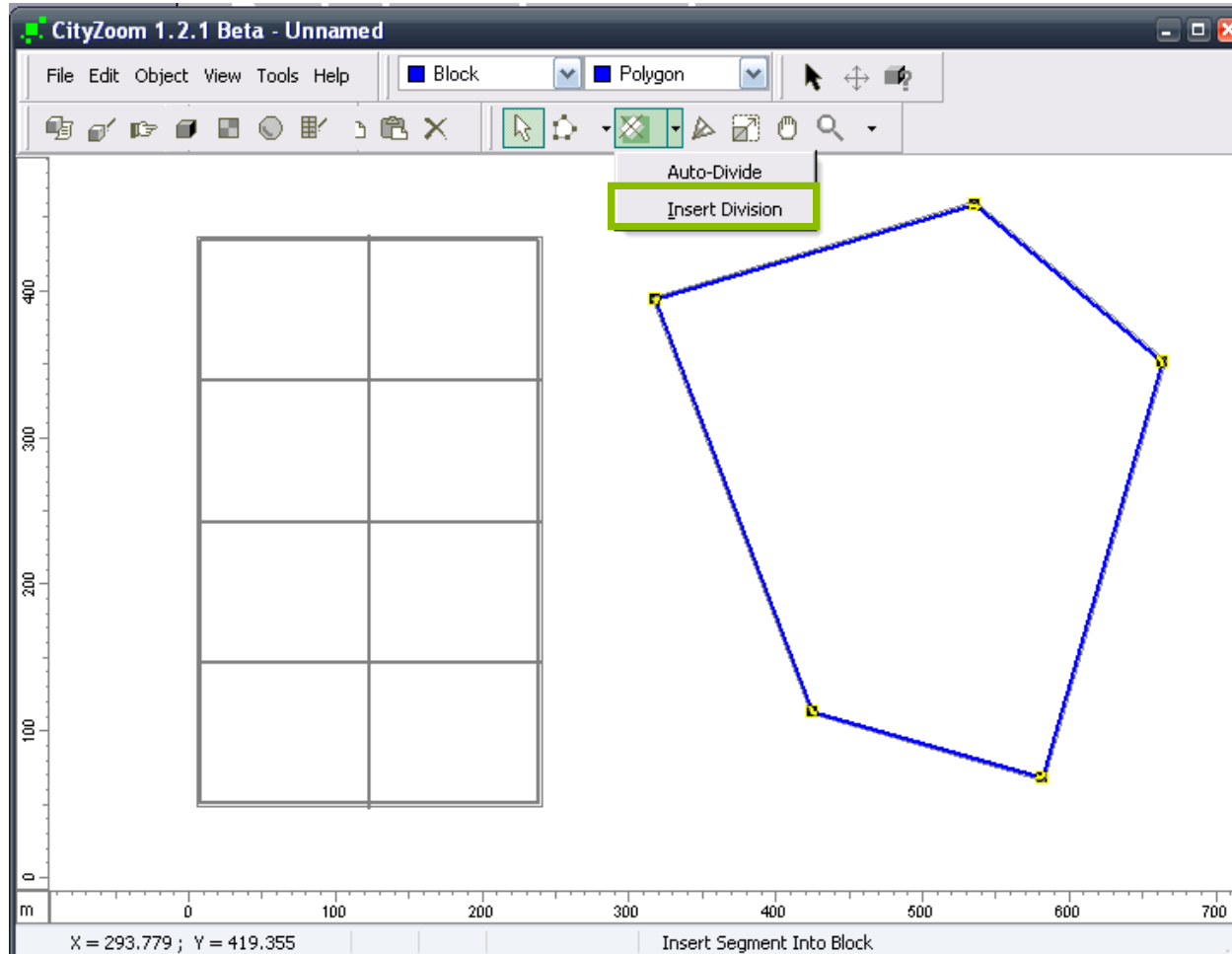
To complete the automatic division click **Finish**.

# Dividing blocks into plots



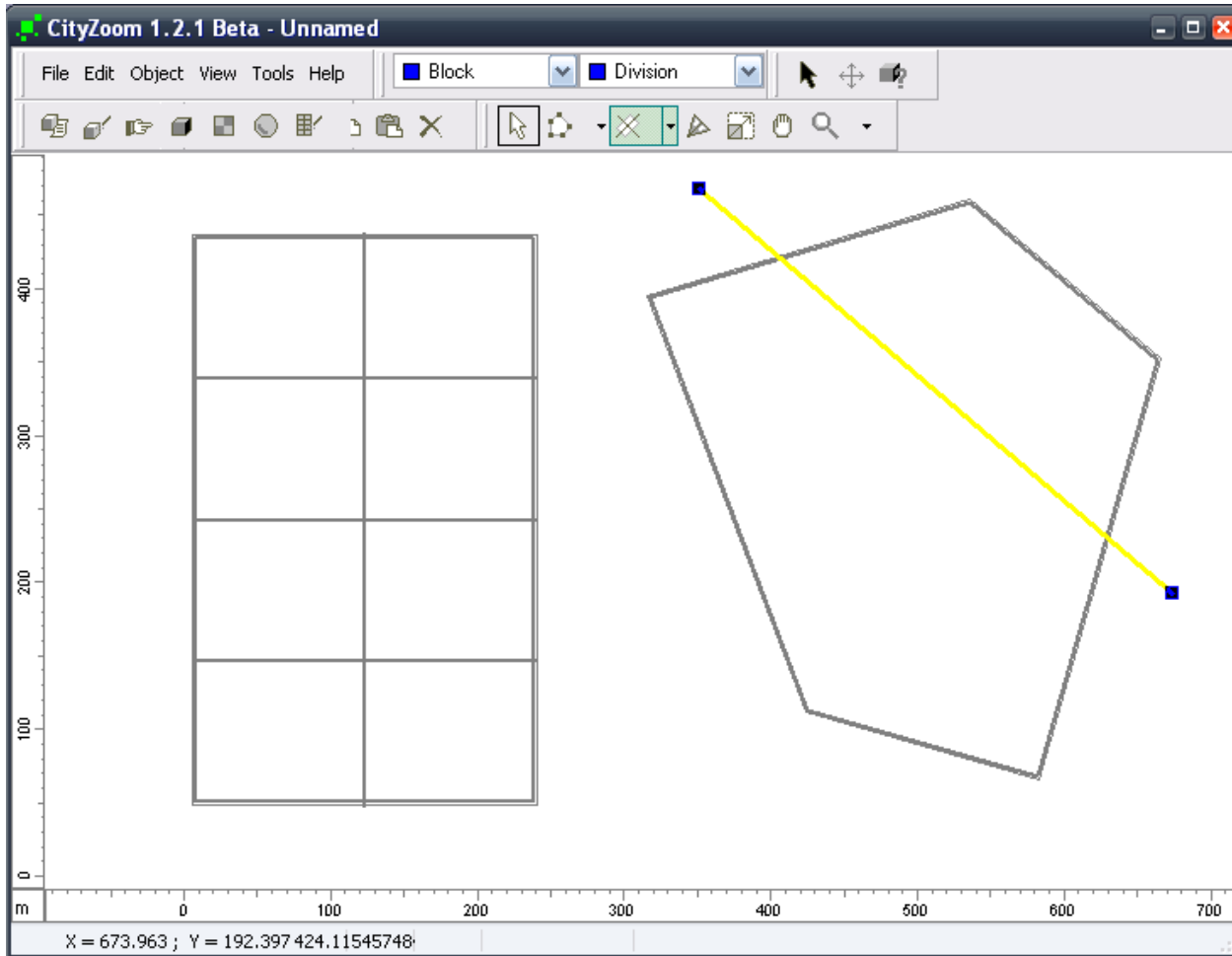
The **Plot** object will become active and the resulting plots will be shown.

# Dividing blocks into plots



To use manual division, select **Insert Division**.

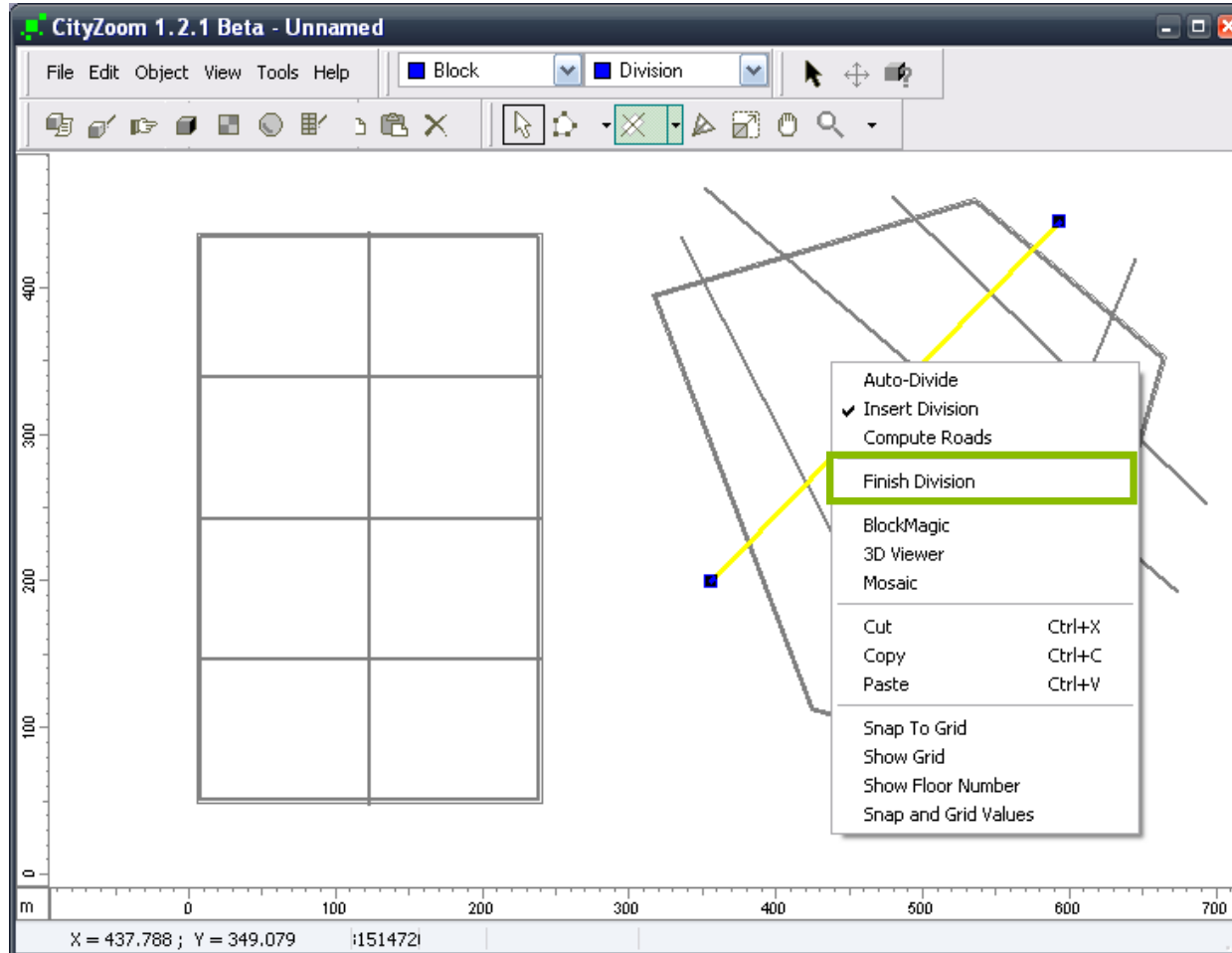
# Dividing blocks into plots



To draw division lines inside the block, left click and drag the mouse to the opposite point of the line.

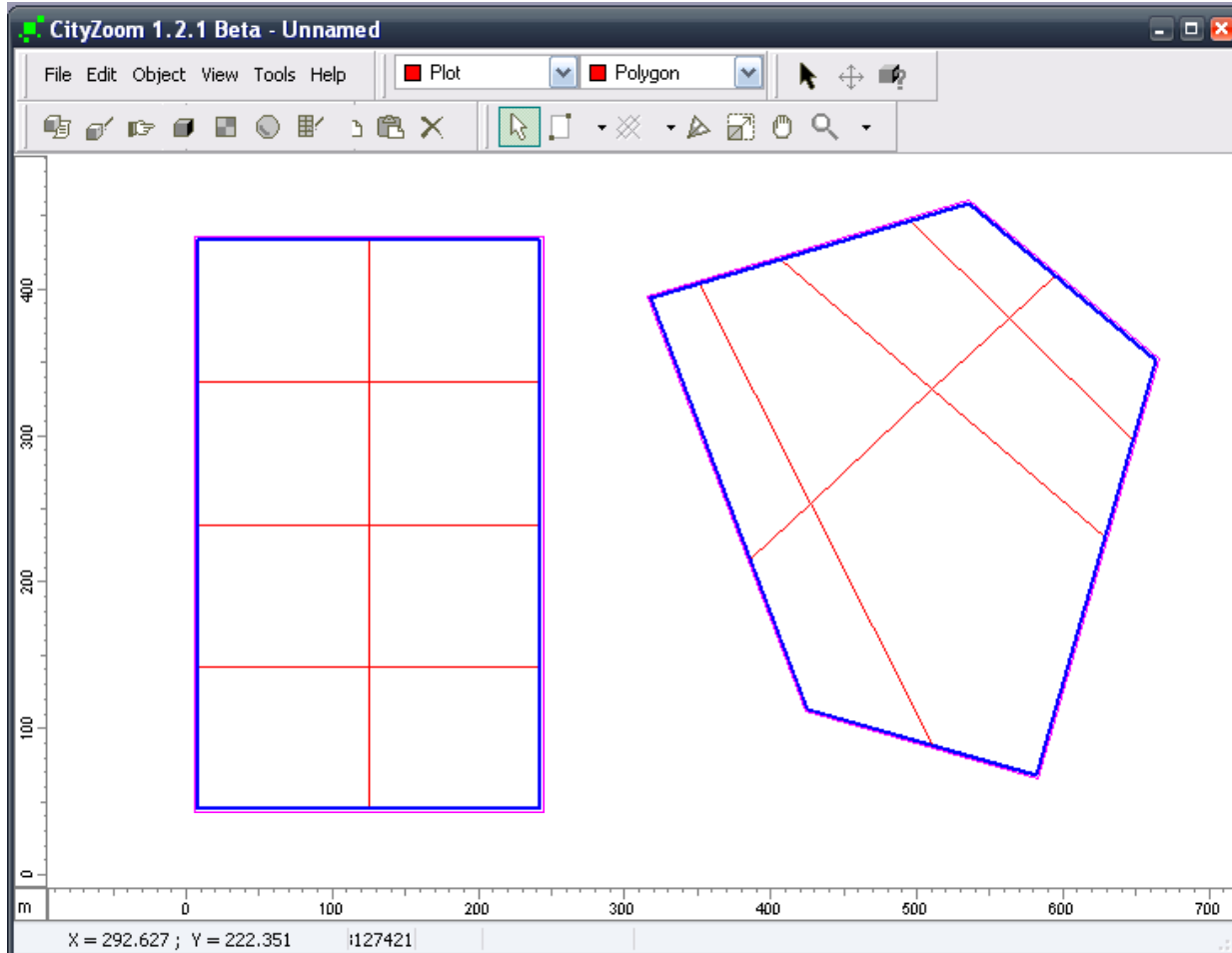
**Obs.:** Drawn lines must cross the block limit.

# Dividing blocks into plots



After inserting all the division lines, right-click the screen and select **Finish Division**.

# Dividing blocks into plots



The resulting plots are shown.